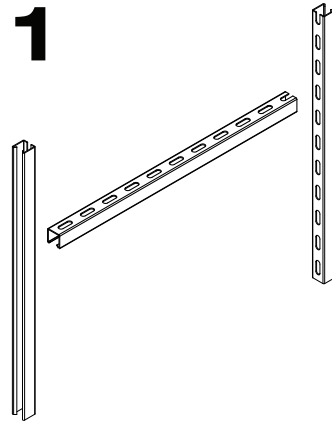


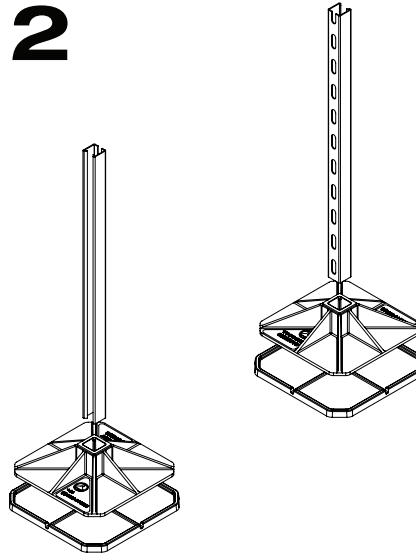
H Frame Assembly

- 1 Cut horizontal and vertical strut to size
- 2 Place vertical strut into feet
- 3 Connect angled brackets to vertical struts using fixing kit provided
- 4 Connect horizontal strut to the vertical struts
- 5 Position on site

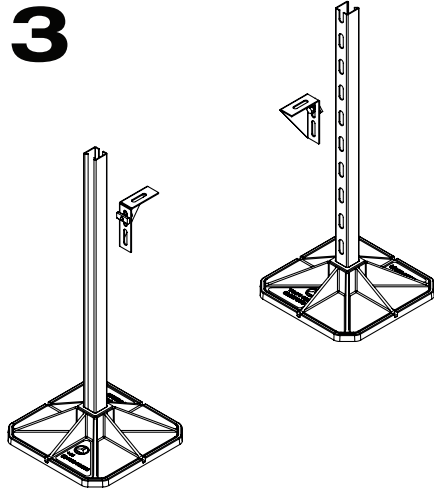
1



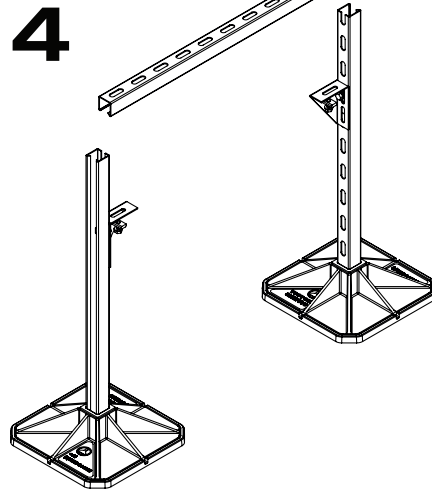
2



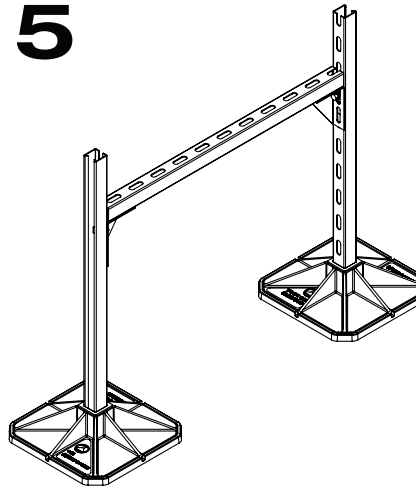
3



4

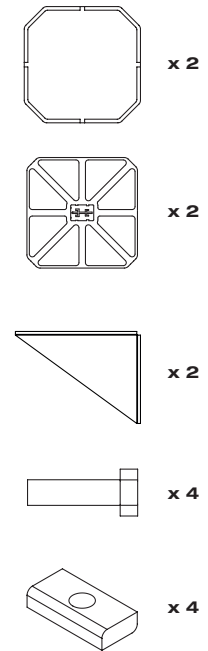


5



Big Foot H Frame Set

CONTENTS



CONTACT

+44 (0)1323 844 355
technical@bigfootsupport.com

Big Foot Systems Ltd
Apex Way Hailsham
East Sussex BN27 3WA
United Kingdom
www.bigfootsupport.com

